



## VACUUM SAFETY DOSING SYSTEM VACUTROL

### Disinfection with chlorine gas – cleverly designed for highest quality.

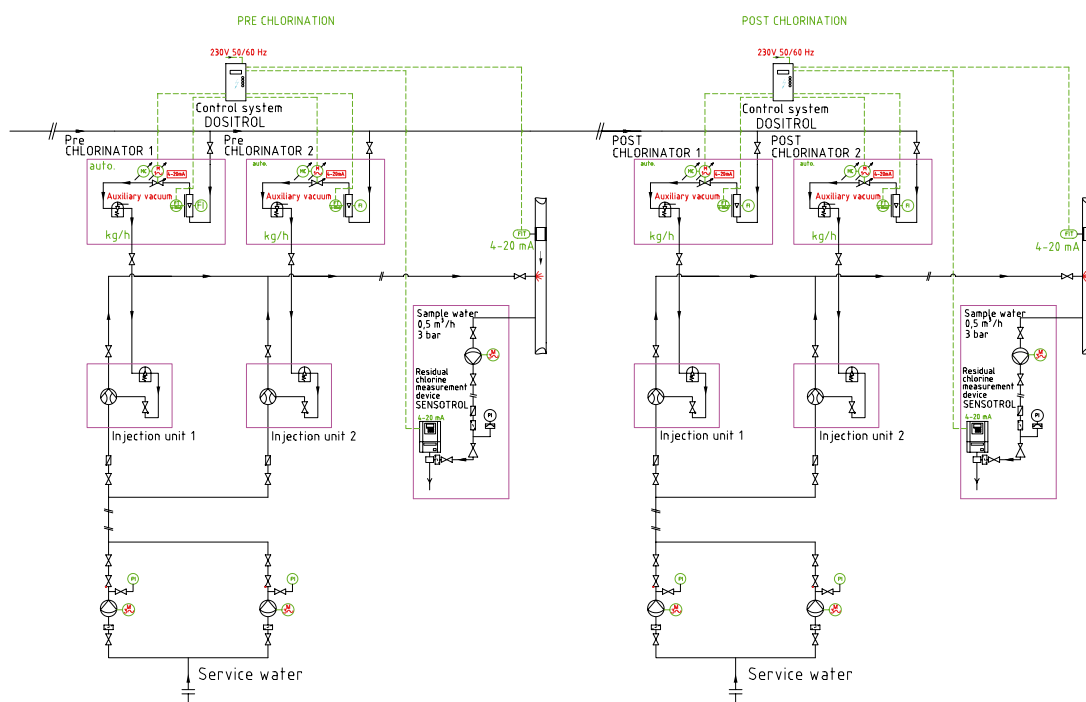
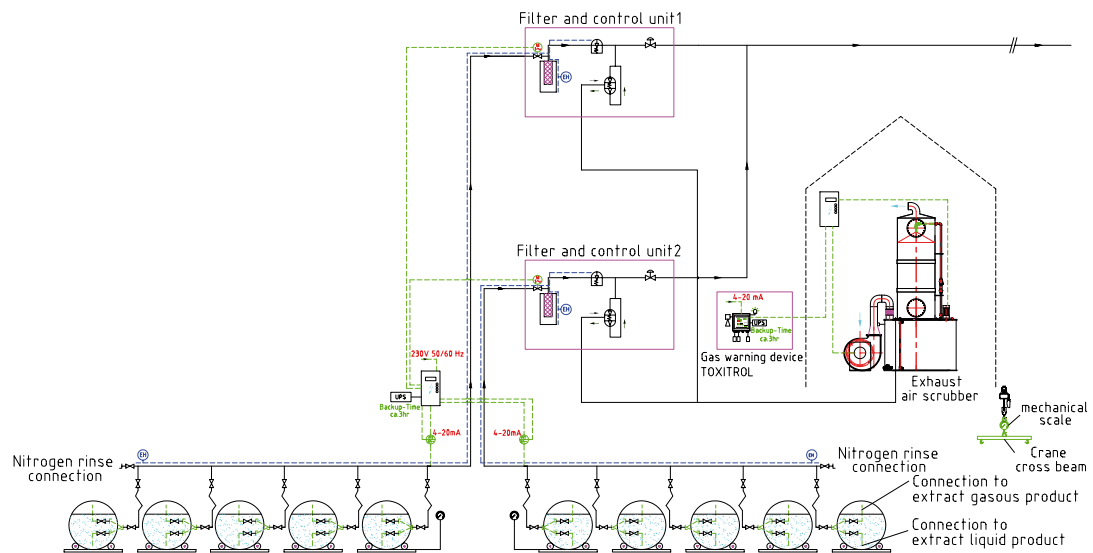
The VACUTROL type vacuum safety dosing systems are produced in accordance with DIN 19606. The high standard of quality of this series is achieved through the well-thought design and the high-quality materials used for the manufacturing. These systems excel through their operating safety and low-maintenance demand as well as the high control precision. VACUTROL dosing systems are certified by the Swiss Association for Gas and Water Industry SVGW (certification report no. 9303-3012).

### Process-specific modifications.

The wide capacity range of the dosing output enables the optimum selection to fit to a variety of processes. The range of the VACUTROL vacuum safety dosing system for  $\text{Cl}_2$  (and other gases) is starting from 0.01-0.2 kg  $\text{Cl}_2$ /h up to a maximum of 19-185 kg  $\text{Cl}_2$ /h. Dosing ranges for other gases such as  $\text{NH}_3$ ,  $\text{SO}_2$  etc. available upon request.

### Chlorine gas dosing systems for small and high outputs.

Depending on the capacity of the dosing system and available space, wall mounting or installation in an individual casing for floor mounting is possible. The system is supplied completely pre-assembled and ready for use.



## Alltech Dosieranlagen GmbH

Rudolf-Diesel-Str. 2  
76356 Weingarten  
Germany

P.O. Box 1120  
76352 Weingarten  
Germany

Phone: +49-7244-70 26-0  
Fax: +49-7244-70 26-50

info@alltech-dosieranlagen.de  
www.alltech-dosieranlagen.de

**Alltech**  
Dosieranlagen  
mit Know-how