



SCRUBBER

Scrubber for neutralization of chlorine gas.

If due to an exceptional situation a gas leak arose, this would be the case of application of the scrubber.

For the neutralization process e.g. caustic soda is used. This is pumped with a circulating pump into the scrubber system.

The gas is aspirated by a fan and neutralized in counterflow in the scrubber.

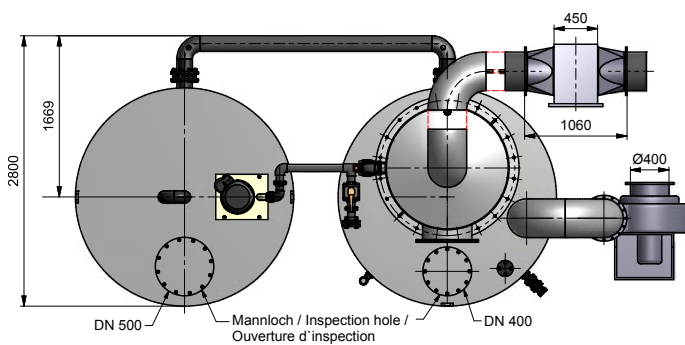
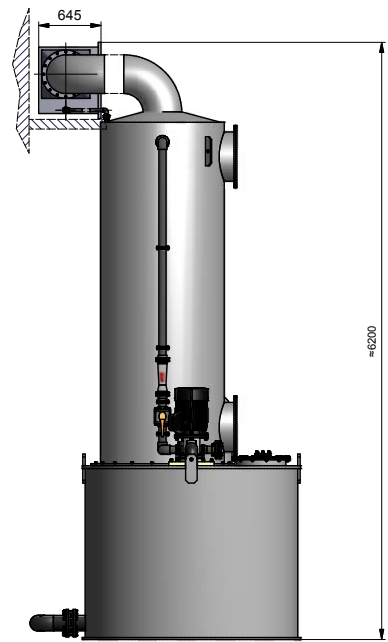
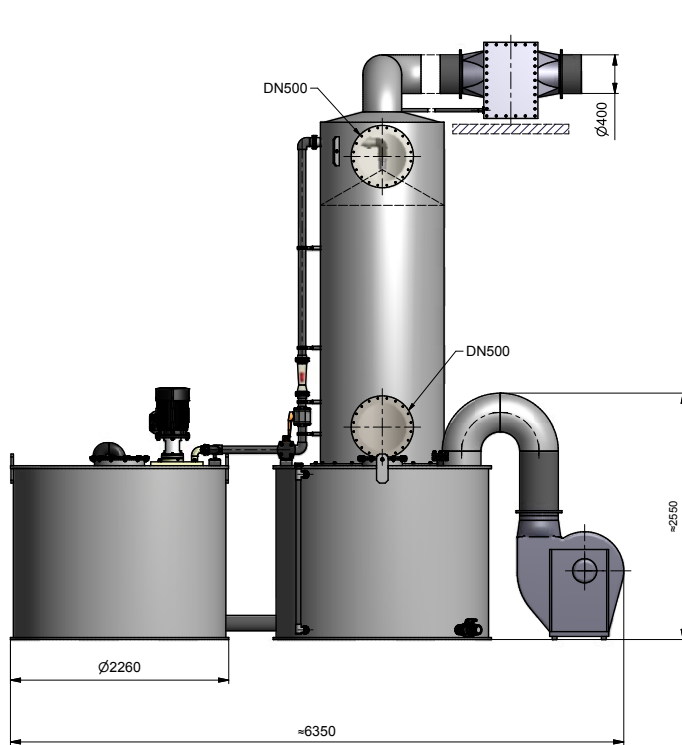
The capacity of the circulation pump and also the fan is controlled as a function of the chlorine gas concentration in the operating environment.

Completely assembled and tested.

The main components of the scrubber are

- » 2 tanks made of PE for neutralization liquid, with level indicator
- » scrubber tower made of PE with neutralization column with transparent PVC sight glasses
- » circulation pump for the scrubbing liquid, designed as submersible pump and built-into the storage tank for neutralization liquid
- » circulation line with flowmeter, adjustable limit switch and distribution nozzle
- » exhaust air connection with sleeve and demister and drain line for the condensate
- » exhaust fan made of PE with frequency control

The scrubber is completely pre-assembled and tested.



Alltech Dosieranlagen GmbH

Rudolf-Diesel-Str. 2
76356 Weingarten
Germany

P.O. Box 1120
76352 Weingarten
Germany

Phone: +49-7244-70 26-0
Fax: +49-7244-70 26-50

info@alltech-dosieranlagen.de
www.alltech-dosieranlagen.de

All rights reserved for modifications without prior notice.

Alltech
Dosieranlagen
mit Know-how