



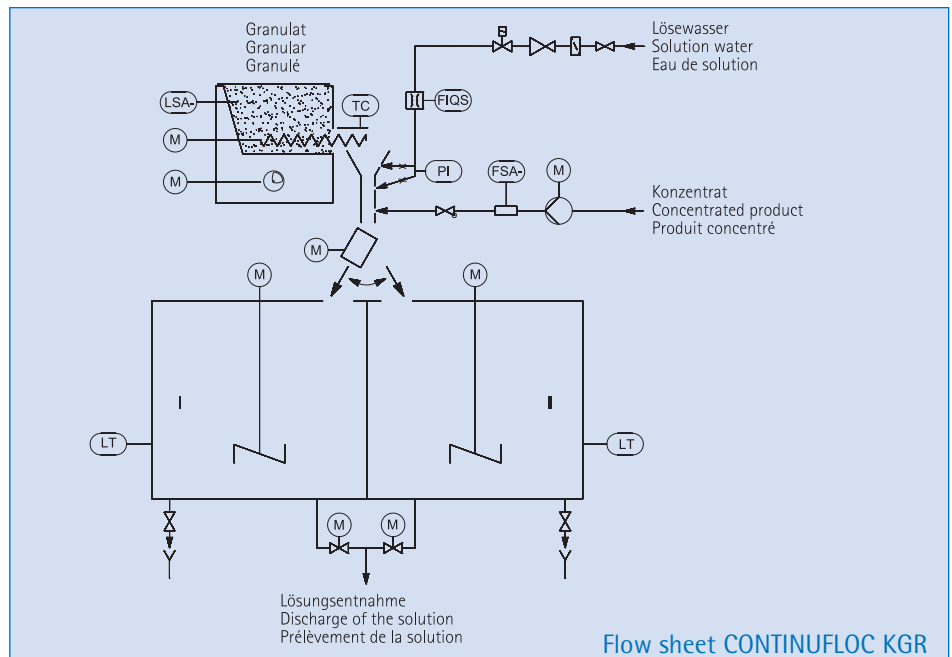
CONTINUFLOC KGR Solution and dosing system

Fully automatic two-chamber pendulum system for granular and concentrated liquid polyelectrolyte

Fully automatic two-chamber pendulum system for granular and concentrated liquid polyelectrolyte.

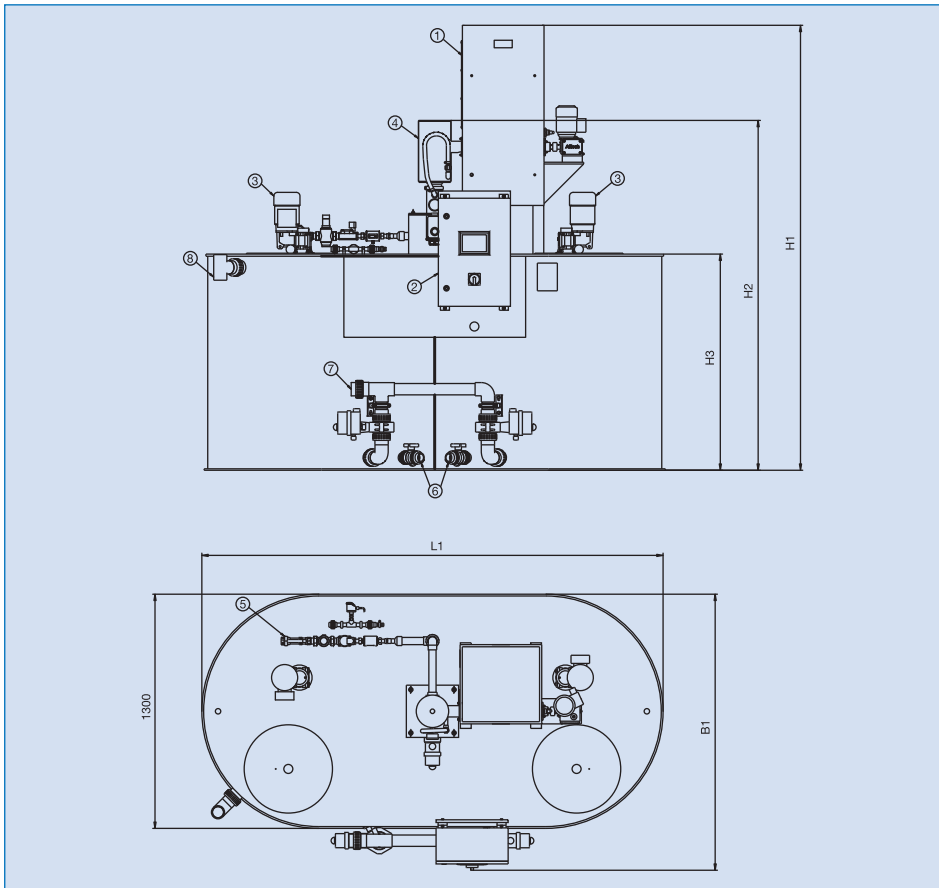
- Output: from 1000 to max. 16000 l/h of prepared solution
- Concentration (adjustable): from 0.05 to 1.5 % at a maximum viscosity of 5000 cP
- Make-up capacity: depends on the maturity time. The capacity indicated for each system should not be exceeded.

Components and method of operation as shown in the dimensional drawing CONTINUFLOC KGR. The system is supplied completely with switch cabinet, wiring and piping. Various loading systems for granulate can be supplied on request.



Dimensional drawing CONTINUFLOC R

- 1) Dry material feeder
- 2) Switch cabinet
- 3) Agitator
- 4) High-capacity disperser
- 5) Water supply unit
- 6) Drain
- 7) Discharge
- 8) Overflow



Type	Output* [l/h]	G [kg]	P [kVA]	5 [Rp/DN]	6 [DN]	7 [DN]	8 [DN]	H1 [mm]	H2 [mm]	H3 [mm]	L1 [mm]	B1 [mm]
1000 V8-KGR	1000	200	3,5	3/4"	32	32	50	2270	1740	1000	1960	1280
2000 V8-KGR	2000	280	3,8	1"	32	50	50	2470	1940	1200	2540	1530
3000 V8-KGR	3000	315	4,0	1 1/4"	32	50	50	2770	2240	1500	2640	1670
4000 V8-KGR	4000	380	4,5	1 1/4"	32	65	50	2770	2240	1500	2960	1640
6000 V8-KGR	6000	650	6,5	1 1/2"	50	65	65	2770	2240	1500	3640	2050
8000 V8-KGR	8000	670	7,0	2"	50	80	65	3270	2740	2000	3580	2050
10000 V8-KGR	10000	750	9,0	2"	50	80	65	3270	2740	2000	3960	2080
12000 V8-KGR	12000	800	11,5	65	50	80	65	3270	2740	2000	4500	2500
16000 V8-KGR	16000	900	17,0	80	50	100	65	3270	2740	2000	4980	2800

*max. output | Dimensions and indications of weight are approximate values.

Alltech Dosieranlagen GmbH

Rudolf-Diesel-Straße 2

76356 Weingarten

Germany

P.O. Box 1120

76352 Weingarten

Germany

Phone: +49 | 72 44 | 70 26-0

Fax: +49 | 72 44 | 7026-50

E-mail: info@alltech-dosieranlagen.de

Internet: www.alltech-dosieranlagen.de

Alltech
Dosieranlagen
mit Know-how