



SERVOSER Stroke length positioning system



Remote capacity control via stroke length

The stroke length positioning system SERVOSER is suitable for mounting on all piston-diaphragm dosing pumps of the FKM and FKMU series.

Even the retrofitting of FKM pumps with a SERVOSER unit is easily possible.

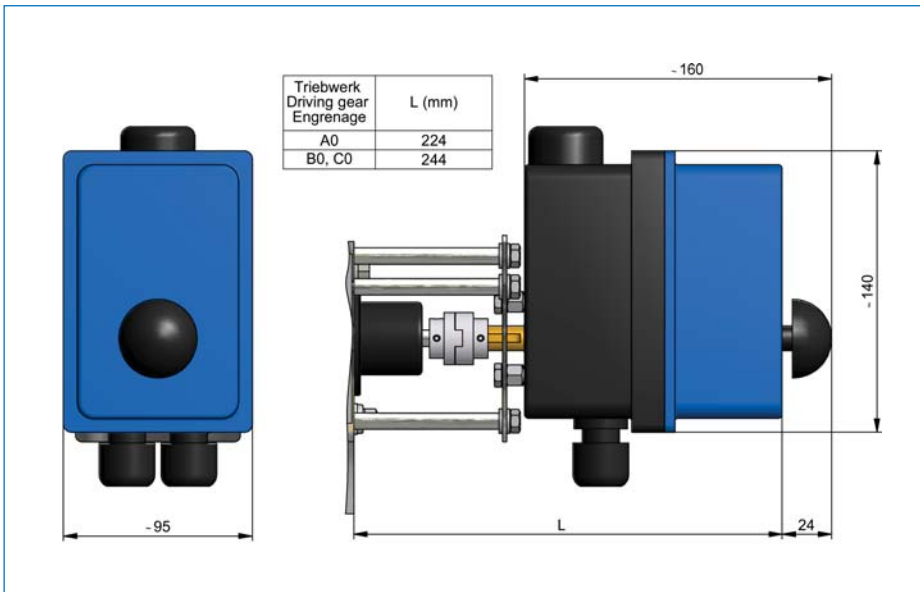
The actuator with integrated electronic positioning regulator and limit switches adjusts the stroke length of the dosing pump proportionally to the input signal.

The adjustment is linear and infinitely variable in the range of 0 to 100 percent.

A local position indication is available. An analogue output is provided for remote indication.

Manual pump operation is possible by decoupling the unit.

Dimensional drawing Servoset



Technical specifications:

Driving signal: 0-10 V, 4-20 mA
Voltage: 230 V, 50/60 Hz
Power consumption: max. 12 W
Adjustment time: 45 sec.
Range of adjustment: 0-270°
Protection class: IP65
Weight: 0.8 kg

Alltech Dosieranlagen

Rudolf-Diesel-Straße 2
76356 Weingarten
Germany

P.O. Box 120
76352 Weingarten
Germany

Phone: +49 | 72 44 | 70 26-0
Fax: +49 | 72 44 | 70 26-50

E-mail: info@alltech-dosieranlagen.de
Internet: www.alltech-dosieranlagen.de

Alltech
Dosieranlagen
mit Know-how